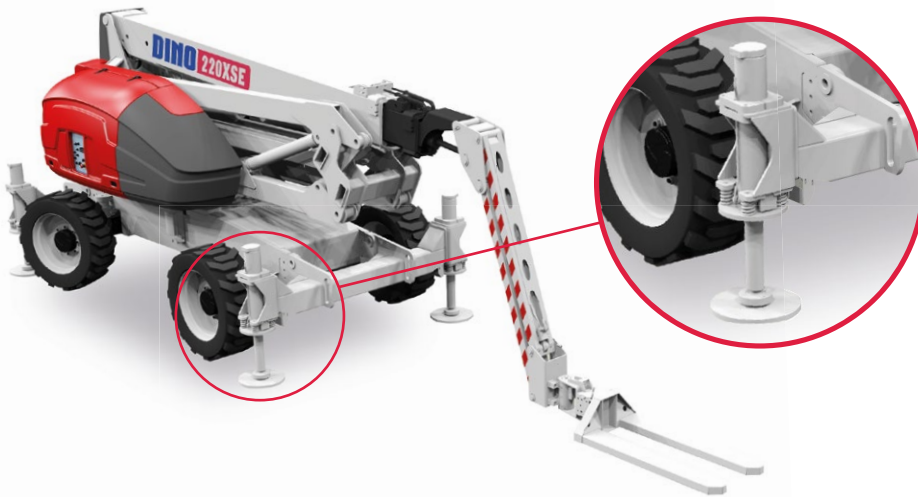


Buy one get two!

NEW
DINO 220XSE

Boom lift with telehandler capability.



Level and operate
with outriggers
in max. 12° slope



- XXXL basket with 350 kg capacity, mounted on forks •
 - 500 kg lifting capacity with forks •
 - Optional wireless remote control •

NEW

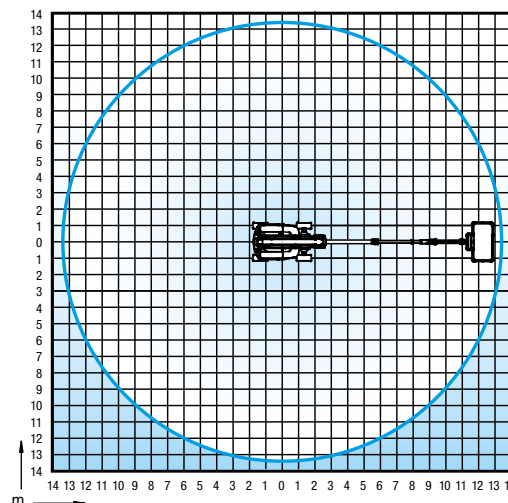
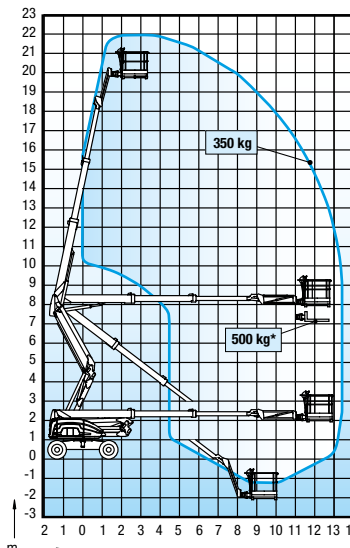
DINO 220XSE

Introducing the innovative, multi-purpose boom lift DINO 220XSE, with impressive basket capacity and telehandler functionality.

- New type of self-propelled boom lift combining high lifting capacity and telehandler capabilities.
- XXXL basket 1.3 x 2.4 m (pictures 1 and 2).
- Basket is mounted on forks with a safe, lockable quick-release mechanism (picture 3).
- Additional telehandler capability with lifting capacity of 500 kg.
- Optional wireless remote control for perfect visibility all round.
- Full working envelope in all directions with full basket load 350 kg.
- Fully operational and safely drivable with up to 5 degrees tilt.
- Permanent 4 wheel drive, 40 % gradeability.
- Operator controlled 100 % differential lock.
- Four hydraulically operated outriggers optionally available for maximum lateral and longitudinal levelling capability: enabling work in up to 12° inclination.



Technical data



*) basket mounted on forks

Max. working height	21.95 m
Max. outreach	13.40 m
Lifting capacity	350 kg/500 kg
Basket size	1.3 x 2.4 m
Boom rotation	cont.
Basket rotation	180°
Jib	1.6 m/150°
Transport length *	8.15 m
Transport width	2.40 m
basket detached	2.33 m
Transport height	2.56 m
Up and over	8.45 m
Weight *	11900 kg
Diesel engine	Deutz 36.3 kW
Max. levelling inclination	5° (12°)
Gradeability (4WD)	40 %
Drive speed	6.0/1.0 km/h
Ground clearance	0.43 m
Wheelbase	2.67 m
Outside turning radius 2WS	5.50 m
Tailswing	0.60 m
Tyres	355/55D625
Hydraulic outriggers	option
Remote R/C	option
Boom construction	Articulated, telescopic boom with jib
Other information	100% differential lock + limited slip Secondary guarding

*) with std specification



Technical specifications are subject to change without prior notice.

DINOLIFT
Up to the Job

Dinolift Oy
Raikkolantie 145 • FI-32210 LOIMAA • FINLAND
Tel. +358 (0)20 1772 400 • Fax +358 (0)2 76 27 160
www.dinolift.com